

DUCASSE INDUSTRIAL LINEA SEGMENTA®
Twin Telescópico

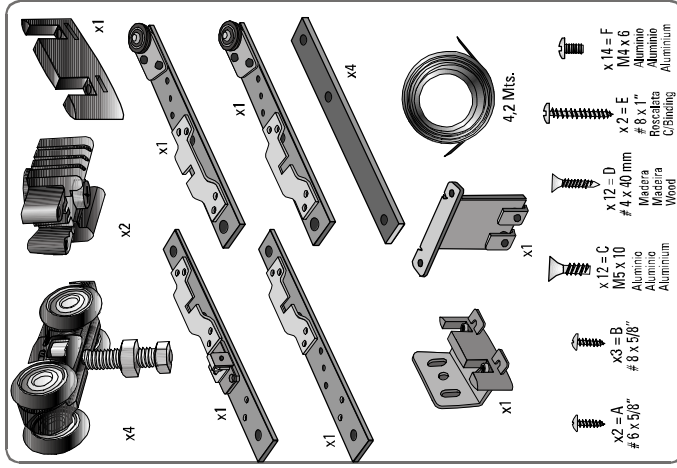
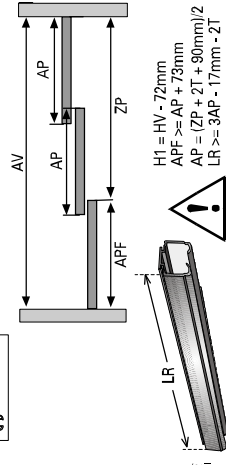
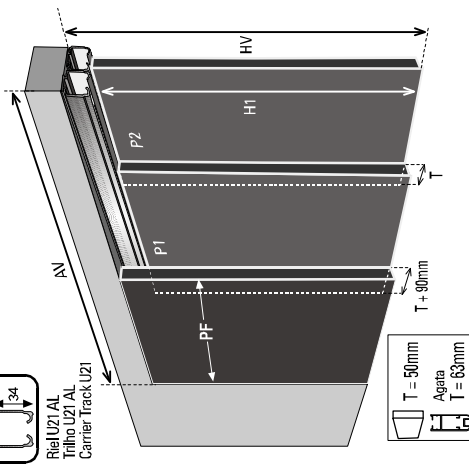
2x(80g)
1760lbs

12

20-35 mm
5/8"-1 1/4"

≤ 110 cm
≤ 43"

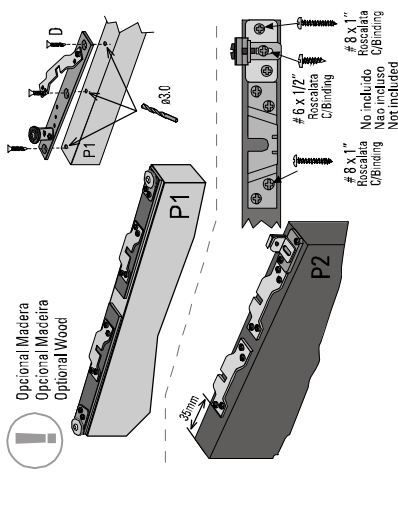
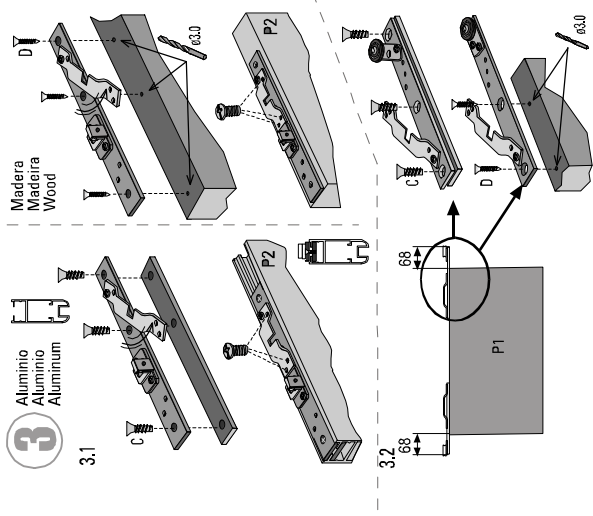
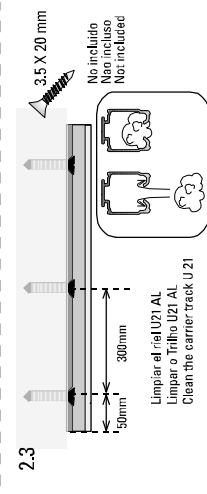
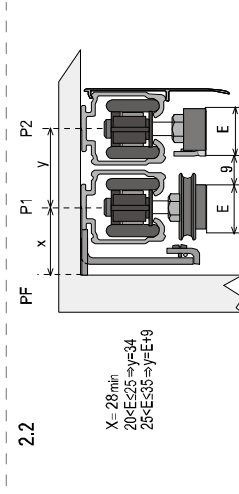
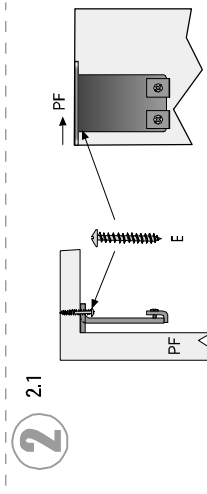
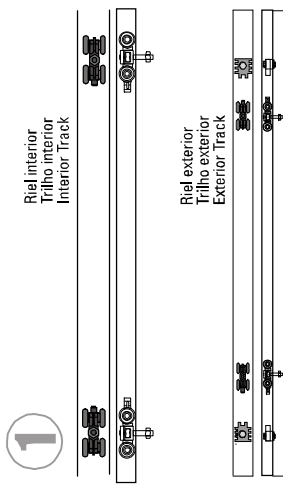
34
Riel U21 AL
Trilho U21 AL
Carrier Track U21

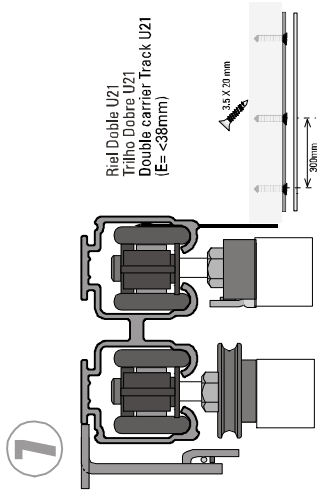
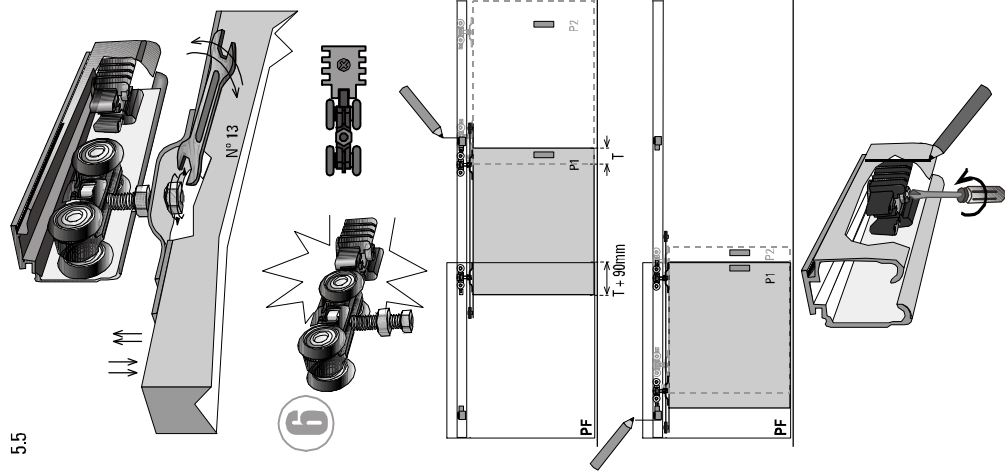
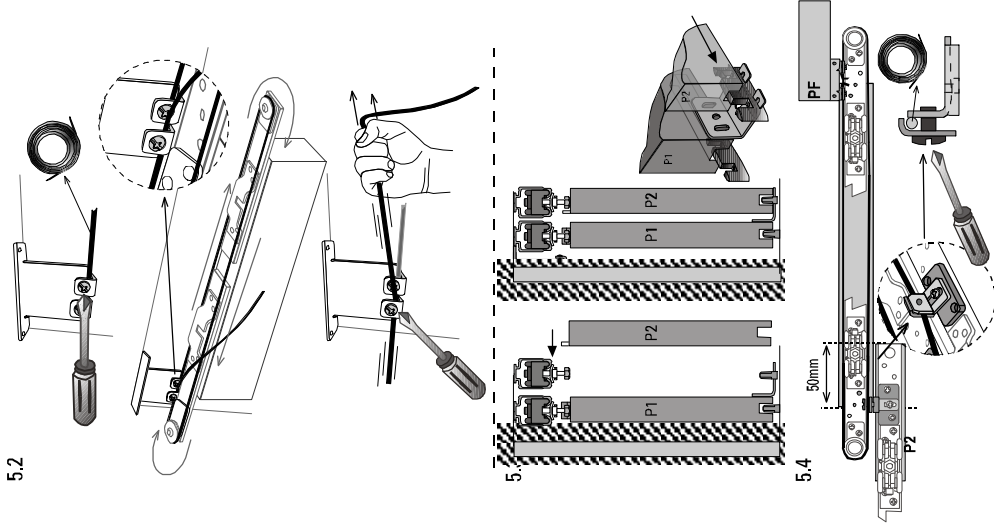
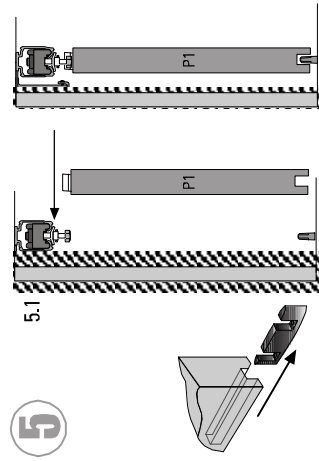
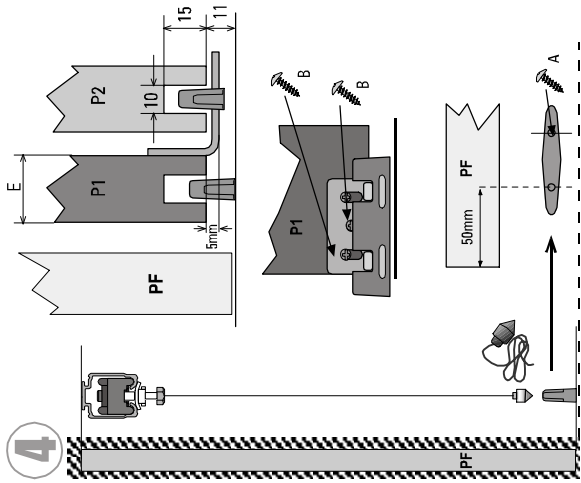


mm	Decimal inches	Aprox Fraction
6	0.2362	1/6
7	0.2756	9/32
8	0.3150	2/16
9	0.3544	2/14
10	0.3937	2/10

mm	Decimal inches	Aprox Fraction
1	0.0394	3/64
2	0.0787	5/64
3	0.1181	1/8
4	0.1575	5/32
5	0.1969	1/8

Todas las medidas expresadas en milímetros.
All measurements in millimeters.





*** ACCESORIOS / ACCESSORIES**

