

# EASY SOFT DN80

Madera / Madeira / Wood

1x 80kg 176 lbs	1 Una puerta One door	Min. 20mm 3/4"	34 38 Riel U21 Triho U21 Carrier track U21	34 38 Riel U21 RT Triho U21 RT Carrier track U21 RT	34 38 54 Riel U21 CA Triho U21 CA Carrier track U21 CA
--------------------	-----------------------------	-------------------	--	---	---

Peso máx. puerta / Peso max. porta / Max. Door weight  
Una puerta / One door  
Espesor Madera / Espessura Madeira / Wood Thickness

**x 1**

Easy Soft DN80

**x 2** **x 2** **x 2** **x 1**

**5/16" x 4** **#6 x 2** **x 10**

Kit Anexo Easy Soft DN80 CF

**x 2** **x 2** **M8 x 2** **x 1**

**ø3.5 x 35 x 8** **M8 x 33** **x 2** **#6** **x 2** **x 1**

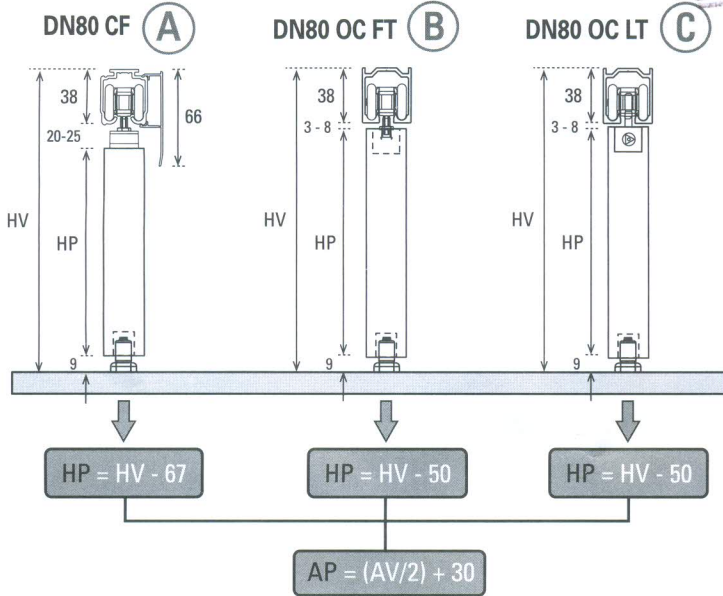
Kit Anexo Easy Soft DN80 OC FT

**x 2** **x 2** **x 2** **#8 x 1"/> **x 2** **#6** **x 2****

**x 2** **#8 x 1 1/2" x 8** **M8 x 2** **x 1**

Kit Anexo Easy Soft DN80 OC LT

41807011



mm	Decimal inches	Aprox Fraction	mm	Decimal inches	Aprox Fraction
1	0.0394	3/64	6	0.2362	15/64
2	0.0787	5/64	7	0.2756	9/32
3	0.1181	1/8	8	0.3150	5/16
4	0.1575	5/32	9	0.3543	23/64
5	0.1969	13/64	10	0.3937	25/64

